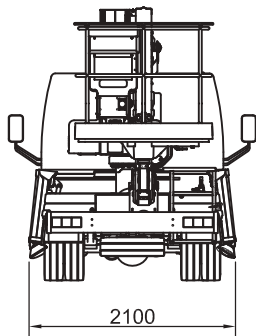
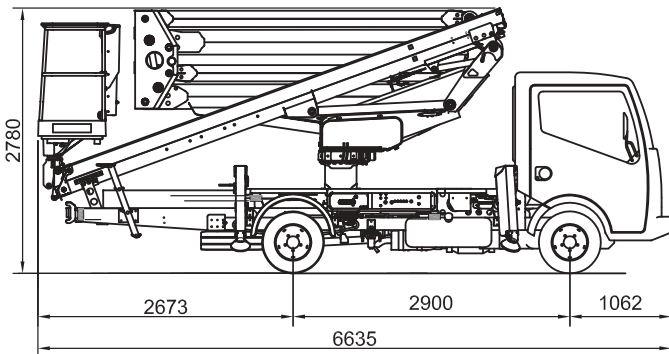


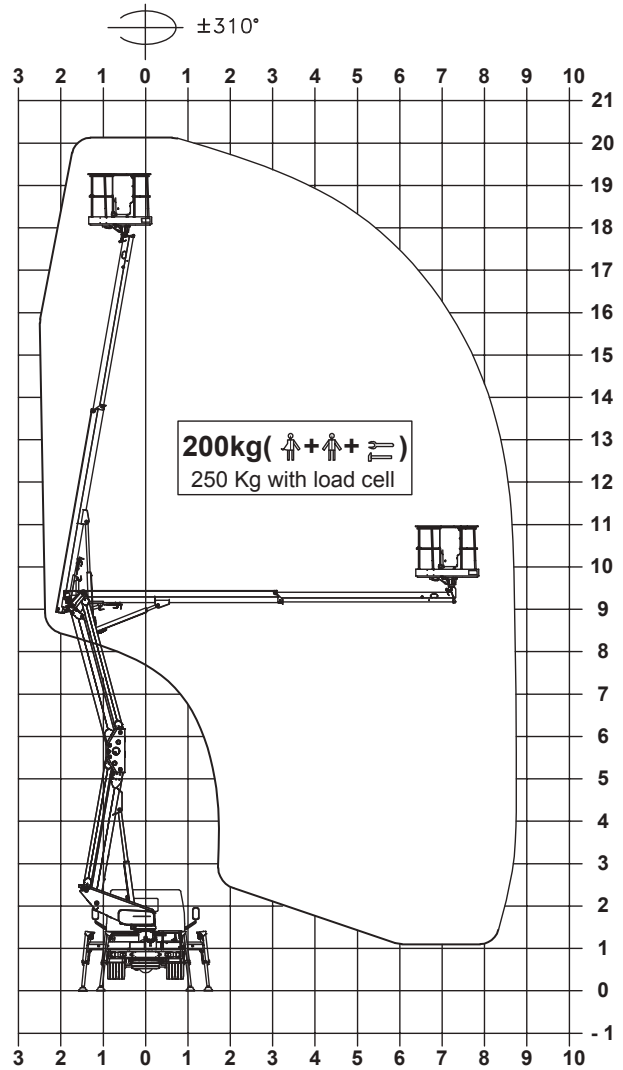
# SPECIFICATION

# CTEZED 20.3 H

## DIMENSIONS



## WORKING ENVELOPE



\* outreach and height max values and repeatability can change within  $\pm 3\%$  due to manufacturing variation and working condition.

Product specifications are subject to change without notice or obligation. Technical features and drawings in this brochure are for illustrative purposes only. \_ZED 20.3 H - ed. 11/17



**CTE S.p.A.**  
**Headquarter**  
 7 Via Caproni - Rovereto (TN) IT, 38068  
 Ph. +39 0464 48.50.50 - Fax +39 0464 48.50.99  
 info@ctelift.com - [www.ctelift.com](http://www.ctelift.com)  
**Factory 5 Loc. Terramatta - Rivoli Veronese (VR) IT, 37010**  
**CTE UK Ltd Enderby Leicestershire - UK**

